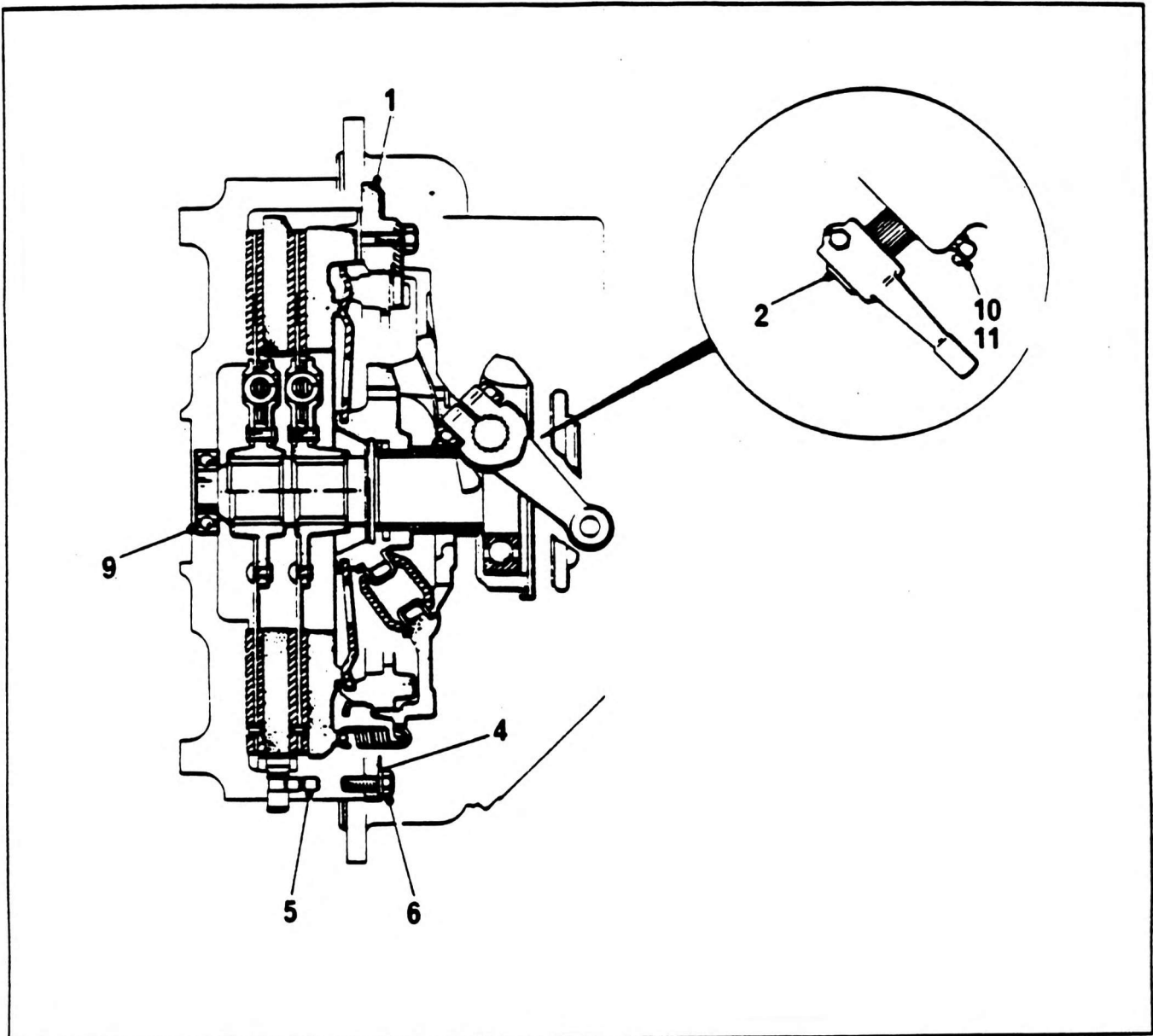


CLUTCH INSTALLATION



NO	PART NO	QTY	DESCRIPTION	NO	PART NO	QTY	DESCRIPTION
1 +	7-316-990026	1	Clutch Kit				
2 +	7-576-995002	1	Clutch Release Kit				
4	7-949-000263	8	Hardened Washer				
5	7-785-160600	12	Socket Head Setscrew 3/8" UNC x 3/8" Long				
6	7-115-161015	8	Setscrew 3/8" UNC x 1 1/4" Long				
9	7-069-990059	1	Flywheel Pilot Bearing				
10	7-440-000000	1	Grease Nipple 1/8" NPT				
11	7-440-000400	1	Greaser				

+ See further breakdown in this group